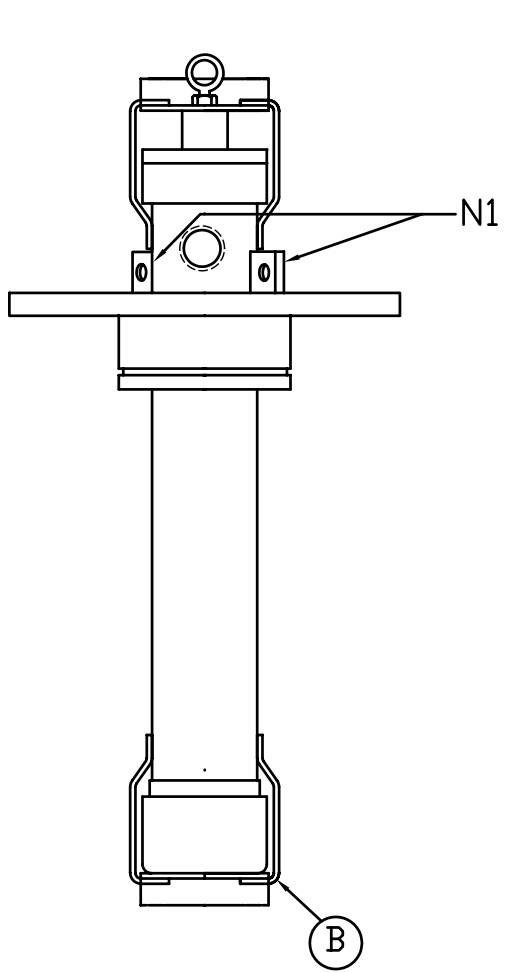


This print is furnished with the understanding that it will be used as a record or to identify or inspect parts and for other information purposes and not to manufacture or procure the manufacture of the parts shown in this print from any source other than CEMCOLIFT Inc. except with the prior written consent of CEMCOLIFT Inc.

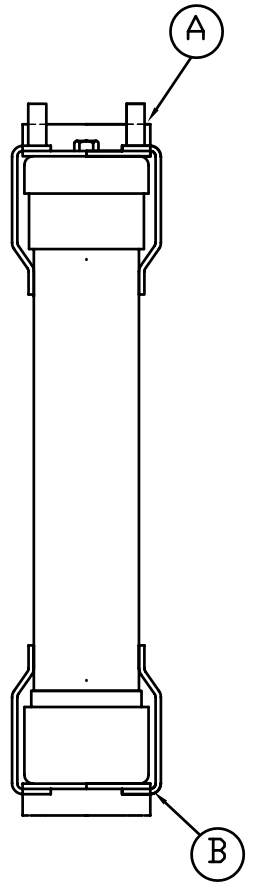
LVL	ECN	DATE	DESCRIPTION	BY
A	--	--	---	-
B				-



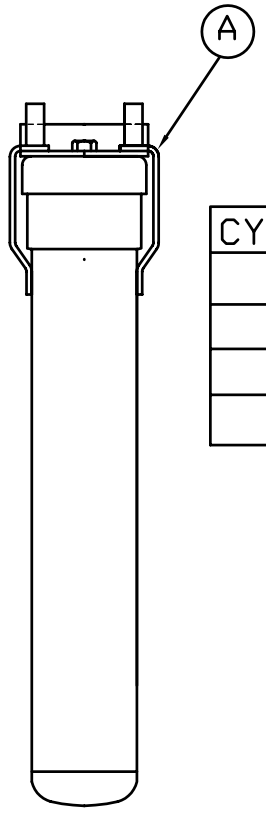
TOP SECTION

N1- ATTACH CLEVISES & SLINGS TO TOP SECTION ONLY

FILE : G:\PRODENG\SK\SK10071.DWG



CENTER SECTION(S)



LOWER SECTION

CYL SIZE	A	B
5	JK-10812	JK-10867
6	JK-10813	JK-10868
8	JK-10814	JK-10869
10	JK-10815	JK-10870

TOLER. 3PL. ± .005"	ANGLE ± 2°	TITLE: WELDMENT, STRAP, LIFT			
TOLER. 2PL. ± .015"	MATERIAL: AS NOTED	DRN: SAM	DATE: 08.24.01	SIZE B	DWG NO. SK-10071
FRACTION ± 1/32"		CHK:	DATE:		REV. -
 <small>P.O. BOX 500+2801 TOWNSHIP LINE RD. HATFIELD, PA 18440 (215) 703-0358/(800) 982-3626 FAX (215) 703-0347</small>		NEXT ASSY NO.:		SCALE: ~	SHEET 1 OF 1