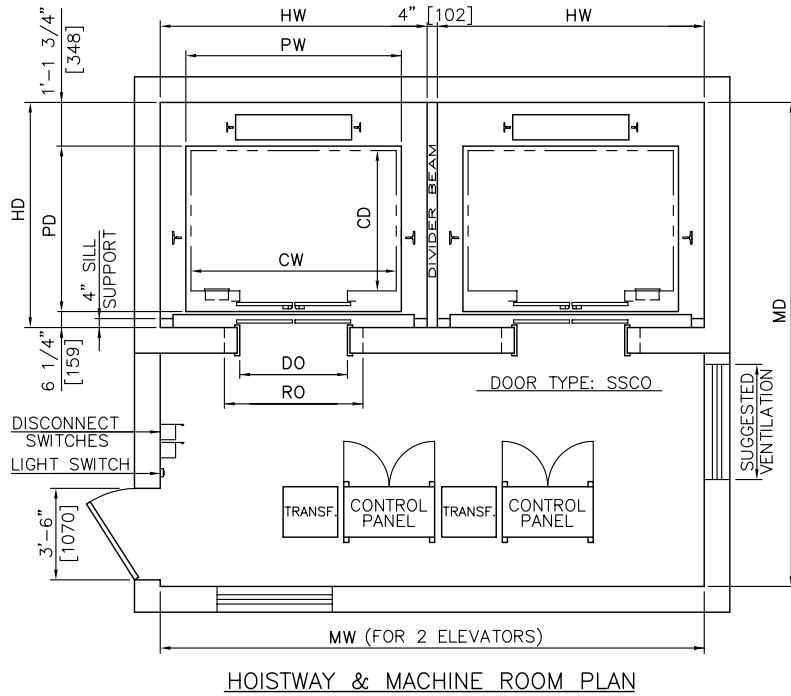
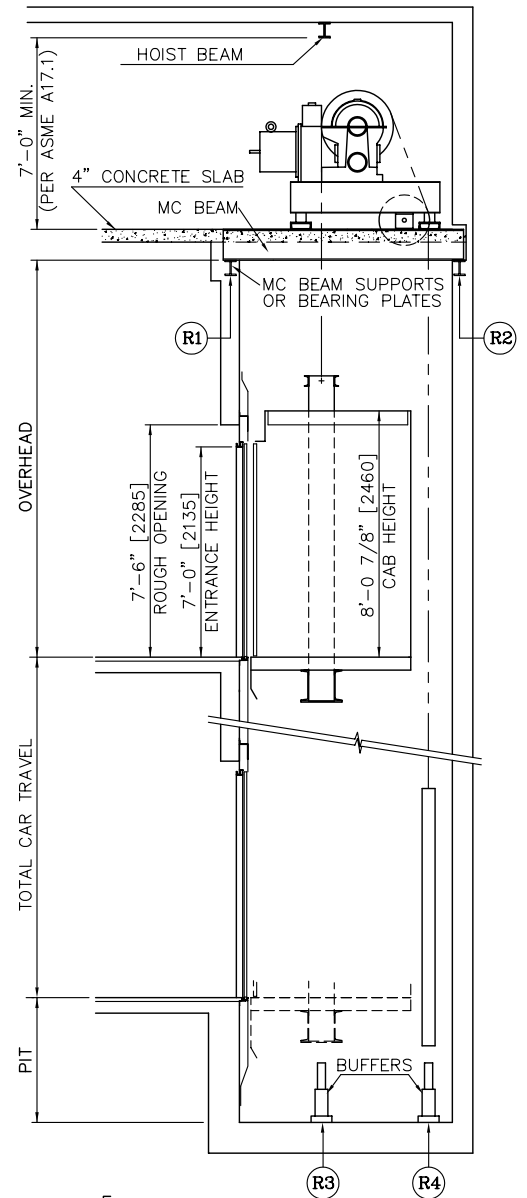
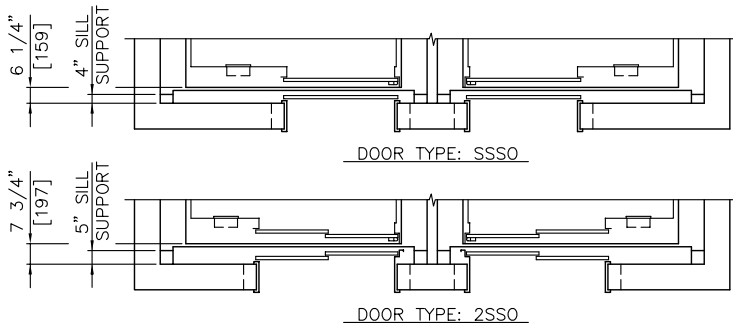


# TRACTION ELEVATOR TECHNICAL GUIDE (PASSENGER)

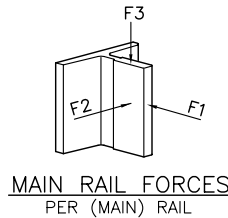


**HOISTWAY & MACHINE ROOM PLAN**

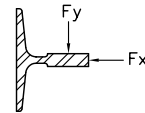


**SECTIONAL ELEVATION**

OVERHEAD & PIT			
RATED SPEED FPM [MPM]	OVERHEAD	PIT (PER CODE)	
		1999 or EARLIER	2000 or LATER
200 [60]	14'-6" [4420]	4'-6" [1372]	5'-3" [1600]
300 [90]	15'-0" [4572]	5'-0" [1524]	5'-6" [1676]
350 [105]	15'-6" [4724]	5'-0" [1524]	5'-10" [1778]
400 [120]	16'-0" [4877]	5'-2" [1575]	5'-10" [1778]
500 [150]	17'-0" [5182]	6'-6" [1981]	6'-6" [1981]



**MAIN RAIL FORCES  
PER (MAIN) RAIL**



**SEISMIC RAIL FORCES  
PER (MAIN) RAIL - ZONE 3**

HOISTWAY & MACHINE ROOM OVERALL DIMENSIONS							
CAPACITY, LBS [kg]		2000 [900]	2500 [1150]	3000 [1350]	3500 [1600]	4000 [1800]	
HOISTWAY WIDTH	HW	7'-4" [2235]	8'-4" [2540]	8'-4" [2540]	8'-4" [2540]	9'-4" [2844]	9'-4" [2844]
HOISTWAY DEPTH	HD	6'-8" [2032]	6'-8" [2032]	7'-2" [2184]	7'-10" [2388]	7'-10" [2388]	8'-2" [2489]
PLATFORM WIDTH	PW	5'-11 5/8" [1820]	6'-11 7/8" [2130]	6'-11 7/8" [2130]	6'-11 7/8" [2130]	7'-11 5/8" [2430]	7'-11 5/8" [2430]
PLATFORM DEPTH	PD	5'-0" [1525]	5'-0" [1525]	5'-6" [1675]	6'-1 7/8" [1875]	6'-1 7/8" [1875]	6'-3 1/2" [1918]
CAB INSIDE WIDTH	CW	5'-8 1/8" [1730]	6'-8 3/8" [2040]	6'-8 3/8" [2040]	6'-8 3/8" [2040]	7'-8 1/8" [2340]	7'-8 1/8" [2340]
CAB INSIDE DEPTH	CD	4'-3 1/4" [1300]	4'-3 1/4" [1300]	4'-9 1/8" [1450]	5'-5" [1650]	5'-5" [1650]	5'-5" [1650]
ROUGH OPENING	RO	4'-0" [1220]	4'-6" [1370]	4'-6" [1370]	4'-6" [1370]	4'-6" [1370]	5'-0" [1525]
DOOR OPENING	DO	3'-0" [915]	3'-6" [1070]	3'-6" [1070]	3'-6" [1070]	3'-6" [1070]	4'-0" [1220]
DOOR TYPES AVAILABLE		SSSO	SSSO / SSCO	SSSO / SSCO	SSSO / SSCO	SSSO / SSCO	2SSO
MC ROOM WIDTH	MW	15'-0" [4572]	17'-0" [5182]	17'-0" [5182]	17'-0" [5182]	19'-0" [5791]	19'-0" [5791]
MC ROOM DEPTH	MD	14'-6" [4420]	14'-6" [4420]	15'-0" [4572]	15'-8" [4775]	15'-8" [4775]	16'-0" [4877]

NOTES: (i) Dimensional data shown above comply with the Safety Code for Elevators and Escalators (ASME A17.1). State or local codes must be used if they vary from national code.  
 (ii) Increase dimensions "HW" by 4" and "HD" by 2" for seismic.