

### HOISTWAY PLAN

2500# [1134 KG] CAPACITY – MEETS A.D.A. REQUIREMENTS  
 DIMENSIONS ARE BASED ON UP TO 70'-0" [21336] OF TRAVEL, CAR SPEED  
 UP TO 150 FPM, STANDARD 4'-0" [1219] PIT, & 12'-6" [3810] OVERHEAD.

LEFT AND RIGHT OPEN DOORS AVAILABLE (RIGHT HAND SHOWN).  
 OTHER PLATFORM SIZES, CAPACITIES, & HIGHER TRAVEL AVAILABLE (CONSULT FACTORY).

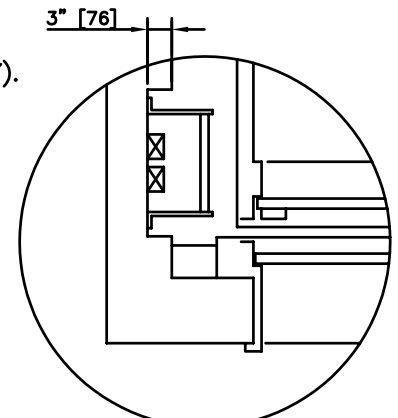


ELEVATOR SYSTEMS

2801 TOWNSHIP LINE ROAD, HATFIELD, PA 19440  
 215-799-2900 • 1-800-962-3626 • FAX: 215-703-0347

**NOTES:**

- 1) DIMENSIONS IN [ ] ARE METRIC.
- 2) ALL DIMENSIONS ARE SUBJECT TO CHANGE WITHOUT NOTICE. CONFIRM WITH FACTORY.
- 3) \*\* 11" MINIMUM WITH 2002 AND ABOVE CODE AND NO NOTCHING



HOISTWAY NOTCH FOR PIT LADDER – 2002 CODE