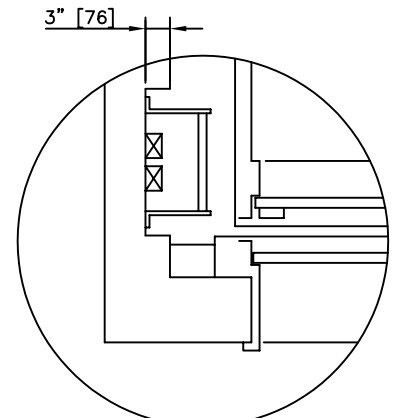


HOISTWAY PLAN

2000# [905 KG] CAPACITY – MEETS A.D.A. REQUIREMENTS  
 DIMENSIONS ARE BASED ON UP TO 12'-6" [3810] OF TRAVEL, CAR SPEED  
 UP TO 100 FPM, STANDARD 4'-3" [1295] PIT, & 12'-6" [3810] OVERHEAD.

LEFT AND RIGHT HAND DOORS AVAILABLE (LEFT HAND SHOWN). CENTER OPENING  
 DOORS AVAILABLE BUT DO NOT MEET A.D.A. FOR 2000 LB ELEVATORS.  
 OTHER PLATFORM SIZES, CAPACITIES, & HIGHER TRAVEL AVAILABLE (CONSULT FACTORY).



HOISTWAY NOTCH FOR  
 PIT LADDER – 2002 CODE

**CEMCO LIFT**

**ELEVATOR SYSTEMS**

2801 TOWNSHIP LINE ROAD, HATFIELD, PA 19440  
 215-799-2900 • 1-800-962-3626 • FAX: 215-703-0347

NOTES:

- 1) DIMENSIONS IN [ ] ARE METRIC.
- 2) ALL DIMENSIONS ARE SUBJECT TO CHANGE WITHOUT NOTICE. CONFIRM WITH FACTORY.
- 3) \*\* 11" MINIMUM WITH 2002 AND ABOVE CODE AND NO NOTCHING