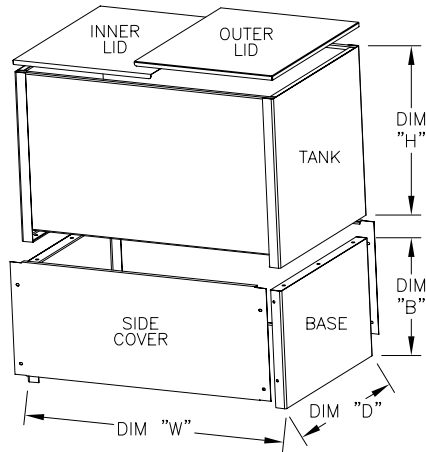


This print is furnished with the understanding that it will be used as a record or to identify or inspect parts and for other information purposes and not to manufacture or procure the manufacture of the parts shown in this print from any source other than CEMCOLIFT Inc. except with the prior written consent of CEMCOLIFT Inc.

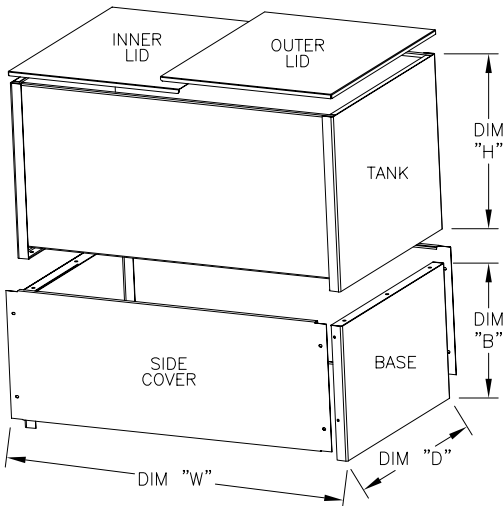
LVL	ECN	DATE	DESCRIPTION	BY
A	N/A	08/27/09	INITIAL RELEASE	MLJ

## 60J VA/BD



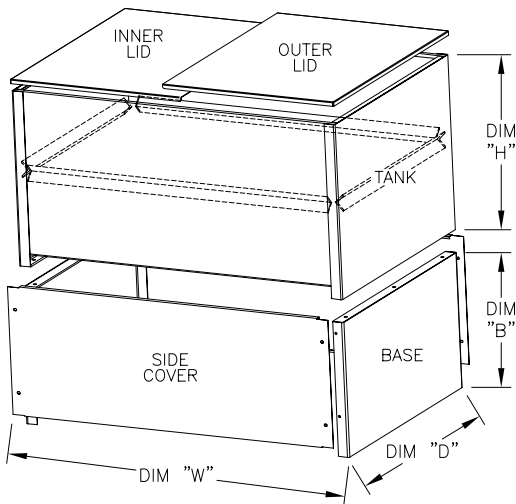
HEIGHT TANK (DIM "H"):	29½"
HEIGHT BASE (DIM "B"):	20½"
WIDTH (DIM "W"):	48"
DEPTH (DIM "D"):	32"
MAX. GALLONS:	149.61
MAX USABLE GALS.:	109.71

## 60S VA/BD



HEIGHT TANK (DIM "H"):	30½"
HEIGHT BASE (DIM "B"):	23½"
WIDTH (DIM "W"):	60"
DEPTH (DIM "D"):	38"
MAX. GALLONS:	231.95
MAX USABLE GALS.:	172.73

## 350 VA/BD



HEIGHT TANK (DIM "H"):	30½"
HEIGHT BASE (DIM "B"):	23½"
WIDTH (DIM "W"):	60"
DEPTH (DIM "D"):	42"
MAX. GALLONS:	256.36
MAX USABLE GALS.:	190.91

TOLER. 3PL. ± .005" FRACTION ± 1/32"

TOLER. 2PL. ± .015" ANGLE ± 2'

MATERIAL:

WELDED STEEL

FILE: ..\PRODENG\SK\SK-10655.DWG

**CEMCOLIFT**

ELEVATOR SYSTEMS

2801 TOWNSHIP LINE RD. HATFIELD, PA 19440

TITLE:

VA/BD TANK SPECIFICATIONS

DRAWN:	MLJ	DATE:	08/06/09	SIZE:	A	DWG NO.:	SK-10655	REV.:	A
CHECKED:	BG	DATE:	08/27/09	SCALE:	≈ 1/32	SHEET 1 OF 1			